



Simulation Study and Experimental Position Control of Pneumatic Cylinder Using Sliding Mode Control with on/off Control Valves

Y. El-sayed¹, M. Hammam², G. A. Z. Mousa³ & A. M. Abdul Aziz⁴

Received: 26 January 2020; Accepted: 26 April 2020

ABSTRACT

Simulation and experimental studies of pneumatic cylinder position control are introduced. High speed on-off solenoid air valve is used instead of the proportional control valve. Sliding mode control with error modification (SMCE) is proposed to drive the air valves with pulse width modulation (PWM) technique. Comparison of the performance of the closed loop position control using SMCE with the traditional PID is held. The simulation model is used to optimize the SMC and PID controller parameters to start the experimental test as a first trial. The experimental results for square and sinusoidal position reference show superiority of the SMCE over the PID in terms of lower steady state errors, faster settling time, and less overshoot. The root mean square error for a sinusoidal input of 0.1 Hz is 0.22 mm for SMCE and 0.69 mm for PID controller. The maximum absolute errors are 0.66 mm and 1.46 mm for SMCE and PID, respectively.

Keywords: Pneumatic cylinder, position control, SMC, PWM, solenoid valves.

1. INTRODUCTION

Pneumatic systems are widely used in the industry due to their low cost, self-cooling, safe on the environment compared with other actuators, and its simplicity. The major drawback of pneumatic systems is their non-linear behavior due to the compressibility of the air, the friction between the piston and cylinder and the discontinuous regime of air flow through the control valves. These nonlinearities cause some difficulty to obtain appropriate control of the pneumatic actuator position. Non-linear model was studied in [1-5] to achieve an accurate position control. The position of the pneumatic cylinder can be controlled by adjusting the air flow rate entering the cylinder using either proportional control valves or on/off valves. Ren et al., [6], used proportional control valve to control the position of a rodless cylinder and obtained a high positioning accuracy. However, this valve is very expensive. PWM technique was used to drive low cost on/off solenoid valves to improve the positioning accuracy with several control methods, [7-11]. Salim et al., [12], used a self-regulated nonlinear PID and compared the results with conventional nonlinear PID. It was stated that the self-regulated technique improved both the

transient and the steady state response. Neural and fuzzy control schemes were used in [13-17] to optimize the gains of PID controller. Adaptive state feedback controller was used in [18, 19] to control the position of a double-acting rod less pneumatic cylinder using a proportional control valve. Zhang et al., [20], used two methods of sliding mode control (SMC3 and SMC7), to control the opening and closing of four on/off control valves according to the sign of a second order sliding surface. It was found that the performance of the two control algorithms are similar and recommend to use the SMC3 because it doesn't require pressure sensor. Soleymani et al., [21], applied a SMC with multiple sliding surfaces to increase the position accuracy, but an extra pressure sensor was needed to feed the pressure signal to the control system. Jouppila et al., [22], made a comparative study of three valve configurations with SMC method to control the position of pneumatic muscle. The robustness of each configuration was tested by changing the load.

In this study, high speed on/off control valves are used to control the position of a pneumatic cylinder using SMC strategy of first order sliding surface with error modified by variable gain.

2. EXPERIMENTAL SET-UP

A photo of the electro-pneumatic positioning test rig and its schematic diagram are shown in Fig.1 and Fig.2.

The experimental test rig is mainly composed of two circuits are pneumatic circuit and electrical circuit. The purpose of the pneumatic circuit is to supply air to the pneumatic cylinder while the electrical circuit is used to drive the solenoids of the control valves. The pneumatic circuit is mainly composed of a double acting cylinder provided with a linear potentiometer and four on-off fast

¹Demonstrator, Mechanical Power Engineering Department, Faculty of Engineering, Port Said University, Egypt, corresponding author, email: y.elsayed@eng.psu.edu.eg

²Assistant professor, Mechanical Power Engineering Department, Faculty of Engineering, Port Said University, Egypt, email: m.hammam@eng.psu.edu.eg

³Assistant professor, Mechanical Power Engineering Department, Faculty of Engineering, Port Said University, Egypt, email: gazmoua@hotmail.com

⁴Professor, Mechanical Power Engineering Department, Faculty of Engineering, Ain Shams University, Cairo, Egypt, email: abdelaiz_morgan@psu.asu.edu.eg

control valves. The cylinder is a single rod of type CD85N20-160-B which has a dimension of 20 mm bore and 158 mm stroke. The cylinder is mounted in a vertical direction. Air service unit composed of filter, pressure regulator and lubricator is used to supply the conditioned air to the cylinder. Fig. 3 shows a detailed construction of high speed air valve which works at high frequency up to 150 Hz. It is mounted on the cylinder opening ports to supply and discharge air to and from the cylinder with the required air quantities. The piston position is measured using a linear potentiometer with linearity of 0.5%.

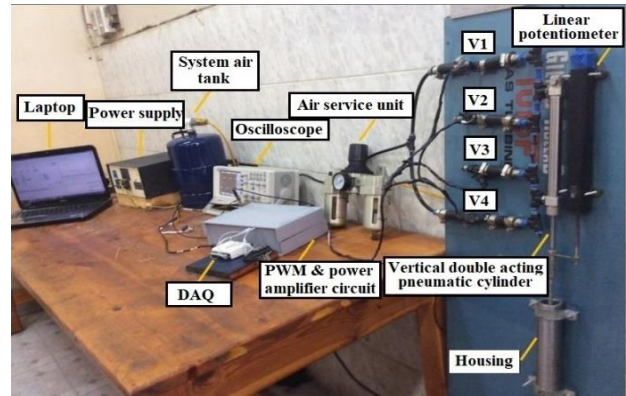


Figure 1: A photo of the experimental test rig

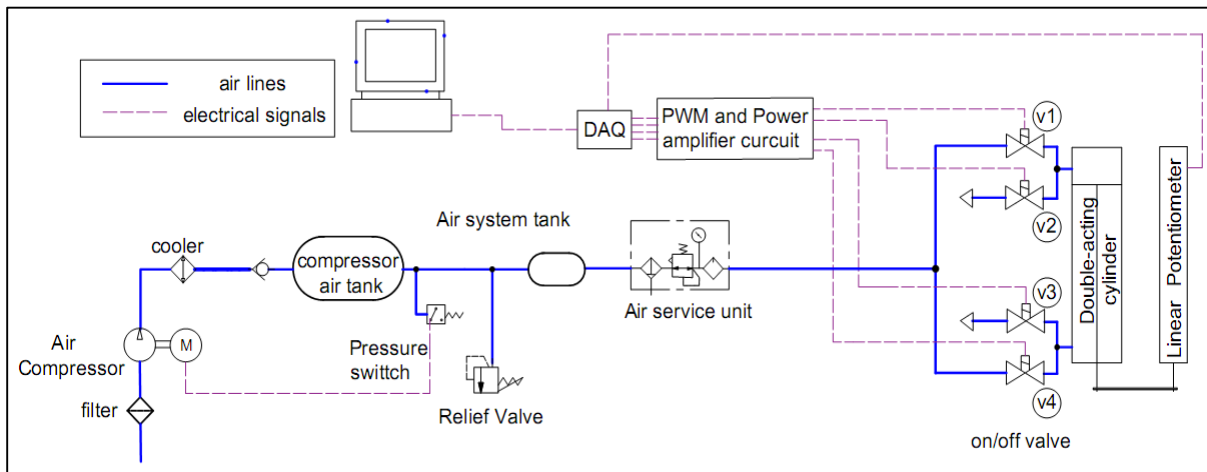


Figure 2: Schematic diagram of the experimental test rig

The electrical circuit consists of a PWM stage and power amplifier stage, as shown in Fig. 4. The PWM circuit is composed of a timer, digital to analog converter to produce a saw tooth signal. A comparator is used to compare the control action signal with the saw tooth signal to produce the variable duty signal that directly drives the control valves. The power amplifier circuit consists of three stage transistor to provide the solenoid valves with the required electric current.

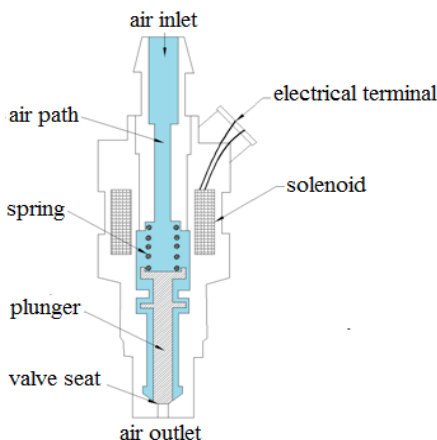


Figure 3: On/off solenoid valve

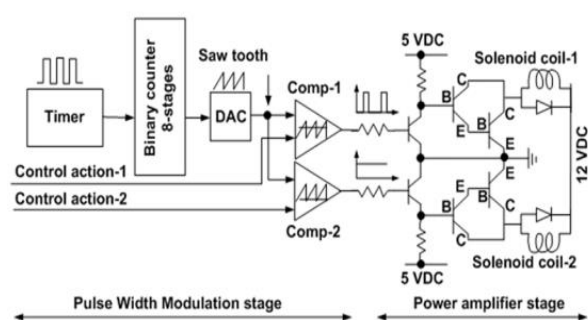


Figure 4: Pulse width modulation and power circuits

A personal Computer is to control the whole system through a National Instrument interface data acquisition card, NI-USB6009, DAQ, attached to it. DAQ is used to read the current piston position and to send the appropriate control action signal to the valves drive circuits. The control action is decided by a control software program written by the author using Lab View. The current control action is decided according to data fed to the control software, namely: the current position data from DAQ, reference position value by the user and the selected control scheme.

3. MATHEMATICAL MODEL OF THE PNEUMATIC POSITIONING CONTROL SYSTEM

The mathematical model of the in-cylinder parameters is based on the fundamental equations of mass and energy in the transient state. The electro-pneumatic system is mainly composed of a double-acting pneumatic cylinder, the forces acting on it is shown in Fig. 5.

The dynamic pressures in each chamber are given by the following differential equations, [23]:

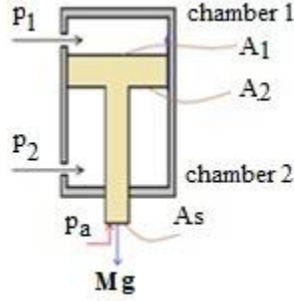


Figure 5: Forces acting on the cylinder

$$\dot{p}_1 = \frac{k}{v_1} [R(\dot{m}_{i1}T_i - \dot{m}_{o1}T_1) - A_1 p_1 \dot{y}] \quad (1)$$

$$\dot{p}_2 = \frac{k}{v_2} [R(\dot{m}_{i2}T_i - \dot{m}_{o2}T_2) + A_2 p_2 \dot{y}] \quad (2)$$

Where v_1, v_2 are the volume of chamber 1 and chamber 2 respectively, \dot{m}_{i1} is the mass flow rate entering chamber 1, \dot{m}_{o1} is the mass flow rate exiting the chamber 1, \dot{m}_{i2} is the mass flow rate entering chamber 2, \dot{m}_{o2} is the mass flow rate exiting chamber 2, R is the specific gas constant for air, k is the specific heat ratio, T_i is the supply air temperature, T_1, T_2 are the temperatures of air inside chamber 1 and chamber 2 respectively.

The in-cylinder temperatures are given by the following differential equations:

$$\dot{T}_1 = (kT_i - T_1) \frac{R\dot{m}_{i1}}{p_1 v_1} T_1 - (k-1) \frac{R\dot{m}_{o1}}{p_1 v_1} T_1^2 - (k-1) \frac{\dot{v}_1}{v_1} T_1 \quad (3)$$

$$\dot{T}_2 = (kT_i - T_2) \frac{R\dot{m}_{i2}}{p_2 v_2} T_2 - (k-1) \frac{R\dot{m}_{o2}}{p_2 v_2} T_2^2 - (k-1) \frac{\dot{v}_2}{v_2} T_2 \quad (4)$$

The volumes of chamber 1 and 2 are:

$$v_1 = A_1 y \quad \text{and} \quad v_2 = A_2 (L - y)$$

Where L is the stroke length.

Considering the cylinder opening as an orifice, the air mass flow rate through it can be calculated as follows, [24]:

$$\dot{m} = A_v C_d p_u \sqrt{\frac{2}{r T_u}} \begin{cases} \left(\frac{2}{k+1}\right)^{1/k-1} \sqrt{\frac{k}{k+1}} & \text{if } 0 < Pr \leq P_{cr} \\ \sqrt{\frac{k}{k-1}} \left[(pr)^{\frac{2}{k}} - (pr)^{\frac{k+1}{k}} \right] & \text{if } P_{cr} < Pr \leq 1 \\ 0 & \text{if } 1 < Pr \end{cases} \quad (5)$$

Where, A_v is the orifice passage area, C_d is the coefficient of discharge, P_r is the ratio of downstream pressure to upstream pressure, p_u is upstream pressure, p_d is downstream pressure, T_u is the upstream temperature, and P_{cr} is the critical pressure ratio

$$P_{cr} = \left(\frac{2}{k+1}\right)^{\frac{k}{k-1}} = 0.528$$

$$P_r = \frac{p_d}{p_u}$$

The direction of mass flow rate through the cylinder is determined according to the pressure difference between the in-cylinder pressure and outside pressure.

The piston downward motion is governed by forces acting on it from both sides according to Newton's second law as follows:

$$M \ddot{y} = p_1 A_1 - p_2 A_2 - p_a A_s + Mg - C_v \dot{y} - F_f \quad (6)$$

Where M is the total mass of both piston and load, p_1, p_2 are the pressures inside chamber 1 and chamber 2 respectively, A_1 and A_2 are the areas of piston for up and down faces, P_a is the atmosphere pressure, A_s is the area of the piston shaft, C_v is the viscous coefficient and F_f is the friction force.

The friction force was established by Messina [25] according to piston velocity and its direction as follows:

$$F_f = \begin{cases} |F_s| \text{sign}(F_p) & \text{if } \dot{y} = 0 \text{ and } |F_p| \geq |F_s| \\ |F_p| \text{sign}(F_p) & \text{if } \dot{y} = 0 \text{ and } |F_p| < |F_s| \\ |F_d| \text{sign}(\dot{y}) & \text{if } \dot{y} \neq 0 \end{cases} \quad (7)$$

Where, F_s is the static friction force, F_d is the dry friction force and are determined experimentally. F_p is the pressure force acting on the piston:

$$F_p = p_1 A_1 - p_2 A_2 - p_a A_s$$

4. PNEUMATIC SYSTEM CONTROLLER DESCRIPTION

The purpose of the controller is the switching algorithm between the on and off modes of valve operation.

The electro-pneumatic system contains four on/off valves with possible 16 mode of operation. Referring to Fig. 1, only three modes are used to drive the pneumatic cylinder as shown in table 1

Where v_1 and v_2 are the supply and exhaust valves for chamber 1 and v_3 and v_4 are the supply and exhaust valves for chamber 2.

Table 1: Valves operation modes

	valve				Motion direction
	v1	v2	v3	v4	
Mode 1	1	0	1	0	Downward
Mode 2	0	1	0	1	upward
Mode 3	0	0	0	0	hold

The valves connected to the pressurized air supply source (valve 1 and valve 4) are driven by Pulse Width Modulation signal with duty ratio determined according to the value of the control signal u . The other exhausting two valves v_2 and v_3 are opened or closed completely. The sliding mode control algorithm, SMC, is proposed to determine the appropriate control action.

SMC is a form of variable structure control. It is considered as an efficient tool to design robust controllers for complex

high-order nonlinear dynamic plant operating under uncertain conditions.[26] The objective is to force the system trajectory to reach sliding manifold or (sliding surface) in a finite time as shown in Fig. 6, then the control action is used to maintain the system on the sliding surface and force it to the origin point. The sliding surface is chosen to be first order as

$$s = \dot{e} + \lambda e \quad (8)$$

Where e is the position error ($y_{ref} - y$), y_{ref} is the reference position, y is the actual position and λ is a sliding surface constant. The control signal u is determine from the sign of the sliding surface as

$$u = -K \text{sign}(s) \quad (9)$$

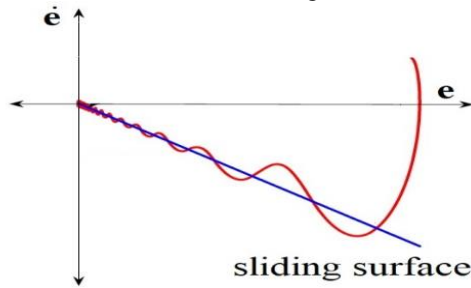


Figure 6: Sliding mode concept

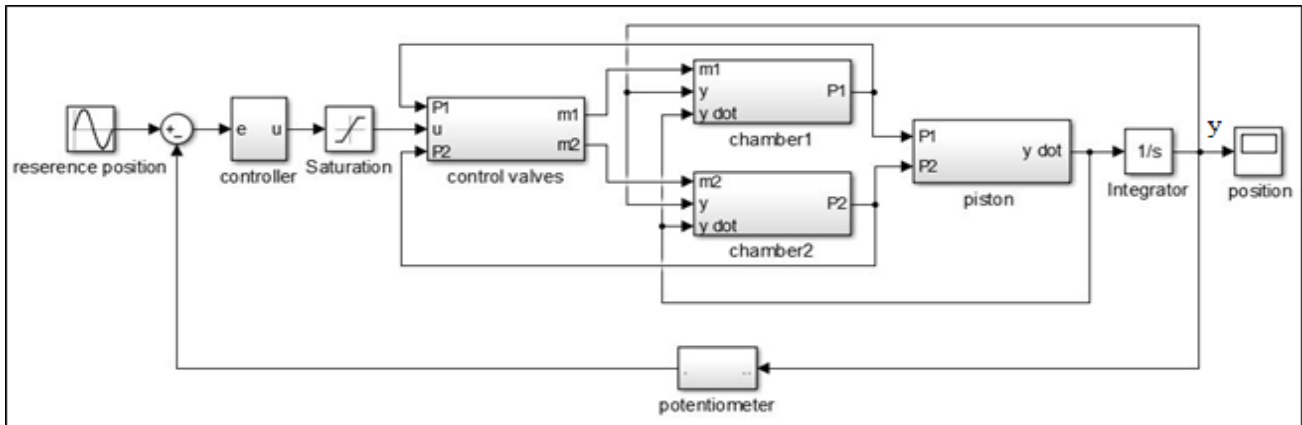


Figure 7: Simulink model for the electro-pneumatic positioning system

Table 2.The simulation parameters

Parameter	Value
Ps	700000 pa
Pa	100000 pa
Ta	300 k
ds	8 mm
d l	20 mm
L	160 mm
k	1.4
R	287 J/kg.k
M	0.5 kg
C _v	5 N.s/m
C _d	0.6
Av	1.8096e-07 m ²
Fs	18
Fd	7

The values of the parameter listed in table 2 are corresponding to the experimental test rig condition

There are two cases of the gain k :

Case 1: Constant controller gain. The control signal have only two values (K or $-K$). The positive value operates mode 1 in table 1, while the negative value operates mode2.

Case 2: variable controller gain proportional to the position error as

$$K = k_c |e(t)|$$

The controller action in this case constitutes the duty ratio of the PWM signal corresponding to the value of the control signal u . This type of control will be called SMCE.

5. THE MODEL SIMULATION

MATLAB/ SIMULINK is used to simulate the equations of the electro-pneumatic model with the implemented controller. Fig. 7 summarizes the main frame work of the Simulink model through the simulation parameters listed in table 2.

6. RESULTS

6.1. Constant and variable gain of SMC

The first section of the result shows the performance of position control loop using SMC and SMCE controller type subjected to sinusoidal tracking signal.

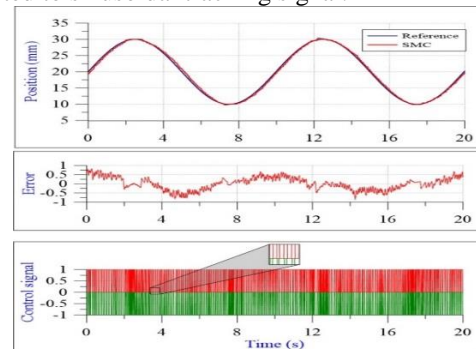


Figure 8: Control signal corresponding to constant gain (SMC) , $\lambda=25$

Fig. 8 shows the position, error and control signal for the first case of SMC with constant gain $K=1$. The control signal obviously has only two values and the control valves are either completely open or completely closed. The value of the RMSE is 0.34 mm during this test.

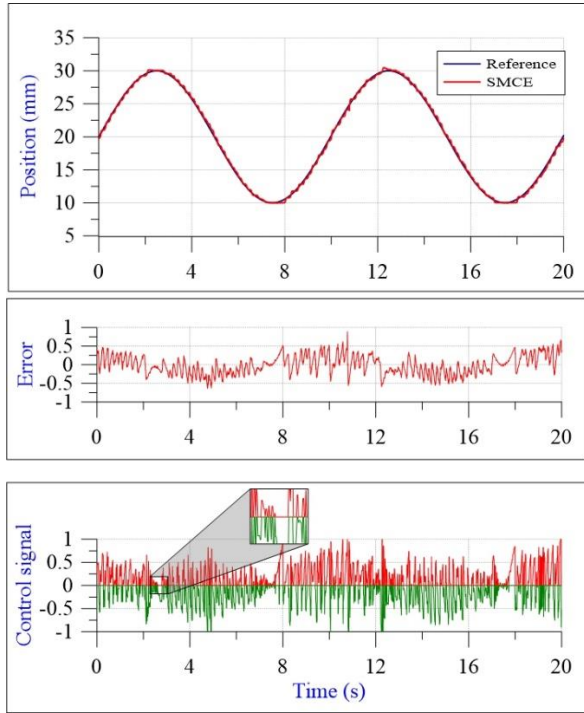


Figure 9: Control signal corresponding to variable gain (SMCE), $\lambda=25$ and $k_c=7$

Fig.9 shows the results of same test using the second case of SMCE with variable gain by error modification. As shown in figure the control signal has several values and the control valves operate by a variable duty ratio. The value of RMSE is 0.22 mm which is 32% less than SMC. Therefore the SMCE is selected in the present study and is compared with the PID controller which is widely used in the majority of the industrial applications.

6.2. Controller parameter selection.

6.2.1. Parameter of SMCE.

The parameters, λ and k_c of SMCE are determined, as a first estimate, from the simulation model with the system parameter listed in table 2. The optimum controller parameters are then selected from a set of simulation runs shown in Fig 10.

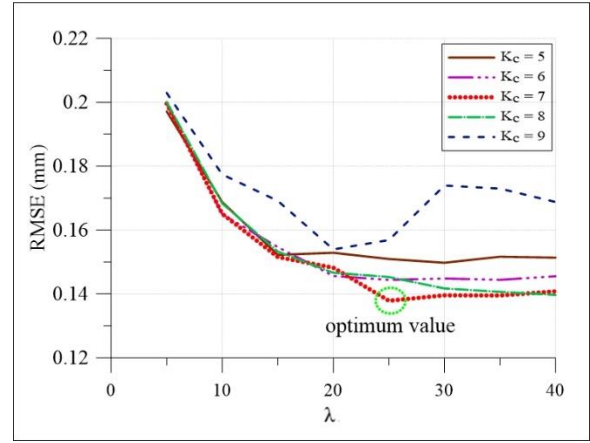


Figure 10: SMCE parameter optimization

The best values which give the least RMSE are $\lambda=25$ and $k_c=7$. These parameters are then used in the experimental study to save time of practical experiments. Moreover, the results are produced in constant temperature environment which is difficult to attain in real experiment due to the heat accumulation which negatively affects the accuracy of the results.

6.2.2. Determination of optimum parameters for the PID controller

Evaluation the PID controller parameters is based on Ziegler-Nicholas tuning method. The result is shown in Fig. 11 where the critical period is 0.33s and the critical gain is 3.

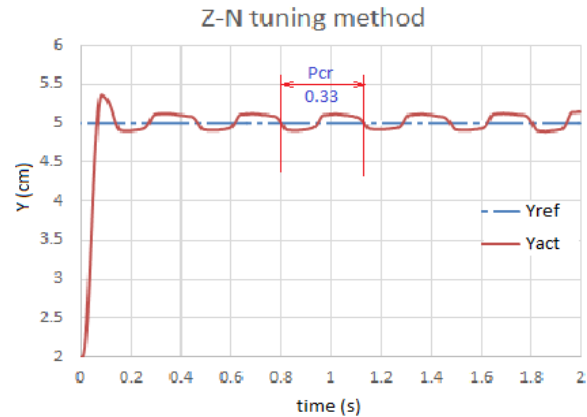


Figure 11: Output waveform oscillation corresponding to $k_{cr}=3$

The optimized PID controller parameters are then:

$$\begin{aligned} k_p &= 1.8, \\ T_i &= 0.165 \text{ and} \\ T_d &= 0.04125 \end{aligned}$$

6.3.1. Experimental result.

A comparison between the present SMCE controller and the optimized PID is presented for square and sinusoidal reference inputs. The effect of input frequency on system error is also studied. The performance of both controllers

is compared according to the maximum steady state error and the average root mean square error.

6.3.1. Square reference.

Results of Fig. 12 indicate that the SMCE reaches steady state faster than PID with less steady state error. The maximum steady state error, MSSE, is 0.15 mm for SMCE and 0.5 mm for PID. It is also clear that the cylinder position, in case of the PID, sticks away from the reference position for some time when the reference position is suddenly changed.

6.3.2. Sinusoidal reference.

The controllers are tested at four input frequencies, 0.05, 0.1, 0.2 and 0.3 Hz. As a general remark, the error increases, for both controllers, as the input frequency increases. However the errors associated with the SMCE are much lower than that of the PID. Figs. 13-16 show the position and error signals at the tested frequencies.

Table 3 summarizes the error values for both SMCE and PID controllers.

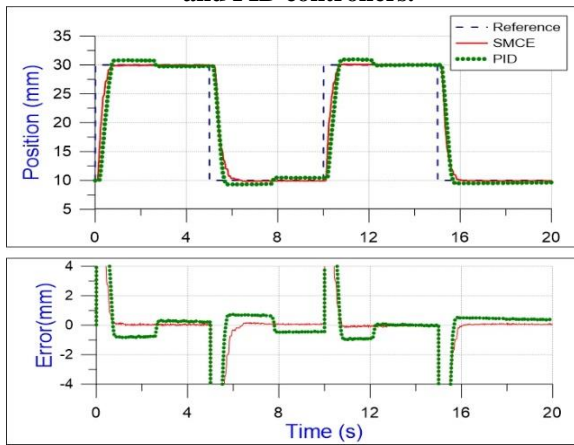


Figure 12: Experimental results of cylinder position control to a reference in the form of square wave, with 0.1 Hz and amplitude of 10 mm

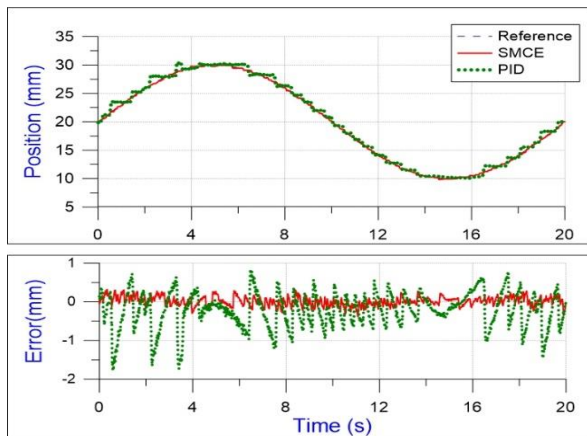


Figure 13: Experimental results of cylinder position control to a reference in the form of sin wave, with 0.05 Hz and amplitude of 10 mm.

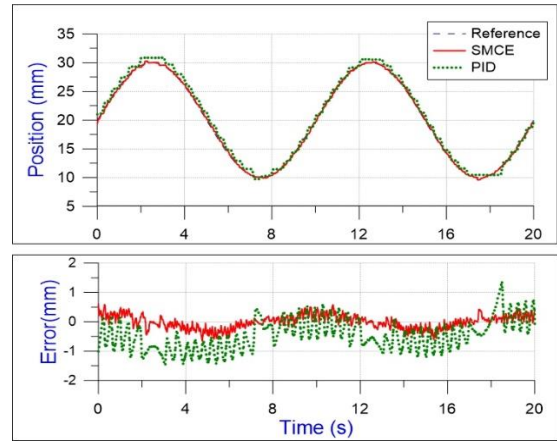


Figure 14: Experimental results of cylinder position control to a reference in the form of sin wave, with 0.1 Hz and amplitude of 10 mm.

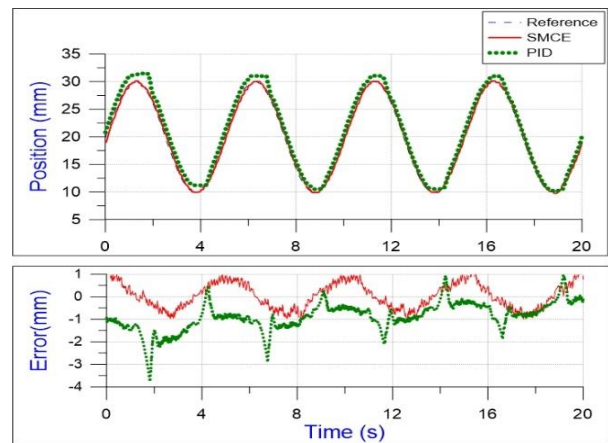


Figure 15: Experimental results of cylinder position control to a reference in the form of sin wave, with 0.2 Hz and amplitude of 10 mm.

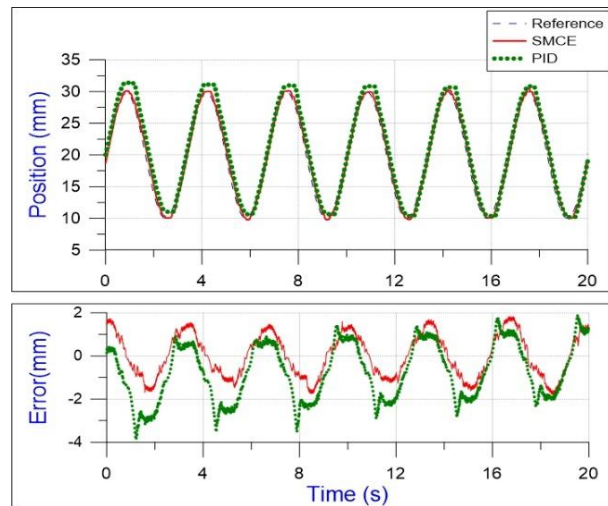


Figure 16: Experimental results of cylinder position control to a reference in the form of sin wave, with 0.3 Hz and amplitude of 10 mm.

Table 3: Error test results the experimental SMCE and PID controllers in (mm).

Reference frequencies	SMCE		PID	
	RMSE	MAE	RMSE	MAE
0.05 Hz	0.11	0.38	0.5	1.77
0.1 Hz	0.22	0.66	0.69	1.46
0.2 Hz	0.57	1.36	1.09	3.69
0.3 Hz	0.99	1.75	1.53	3.88

The maximum error always occurs at the beginning and end of cylinder stroke where it is difficult to track due to the high piston acceleration.

7. CONCLUSION

A simple controller of SMC which does not require a full state definition of the system model is adopted. The suggested controller depends on the sliding surface definition and the absolute value of the position error only. The main concluded remarks are:

- 1- For a square reference position, the MSSE is decreased by nearly three times when SMCE is used instead of PID controller.
- 2- The cylinder position for SMCE reaches steady state faster than PID control and there is no overshoot.
- 3- For sinusoidal reference position, the RMSE and MAE for SMCE controller are less than that in PID controller.
- 4- The RMSE for SMCE is always less than that of the PID through the whole tested range of sinusoidal input frequencies

Abbreviations

Comp	Comparator
DAC	Digital to analog converter
MAE	Maximum absolute error
MSSE	Maximum steady state error
PID	Proportional plus integral plus derivative control
PWM	Pulse width modulation
RMSE	Root mean square error
SMC	Sliding mode control
SMCE	Sliding mode control with error

Nomenclature

A_1	chamber 1 cross section area, m^2
A_2	chamber 2 cross section area, m^2
A_s	piston shaft cross section area, m^2
A_v	valve orifice area, m^2
C_v	viscous friction coefficient
e	error signal
F_d	dynamic friction force, N
F_f	friction force, N
F_s	static friction force, N
K	SMC gain
k	specific heats ratio
k_c	SMC gain constant
K_p	PID proportional gain
L	cylinder maximum length, m
M	total mass of piston and load, kg
\dot{m}	air mass flow rate, kg/s

p_1	pressure in chamber 1, Pa
p_2	pressure in chamber 2, Pa
p_a	atmosphere pressure, Pa
P_{cr}	critical pressure ratio
P_r	valve downstream to upstream pressure ratio
R	specific gas constant of air, J/kg K
s	sliding surface
T_1	air temperature in chamber 1, K
T_2	air temperature in chamber 2, K
T_d	PID derivative time constant, s
T_i	supply air temperature, K
T_i	PID integration time constant, s
u	control signal
V_1	volume of chamber 1, m^3
V_2	volume of chamber 2, m^3
y	cylinder position, m
y_{ref}	reference position, m
λ	sliding surface constant

CREDIT AUTHORSHIP CONTRIBUTION STATEMENT:

Y. El-sayed Software, Resources, Investigation, Data Curation, Writing - Original Draft, **M. Hammam**: Validation, Writing - Review & Editing **G.A.Z.Mousa**: Methodology, Formal analysis, Writing - Review & Editing, **A. M. Abdul Aziz**: Conceptualization, Investigation, Resources

DECLARATION OF COMPETING INTEREST

The authors declare that they have no known competing financial interests or personal relationships that could have appeared to influence the work reported in this paper.

REFERENCES

- [1] P. L. Andrighetto, A. C. Valdiero, and L. Carlotto, "Study of the friction behavior in industrial pneumatic actuators," in *ABCMS Symposium series in mechatronics*, 2006, pp. 369-376.
- [2] Z. Rao and G. M. Bone, "Nonlinear modeling and control of servo pneumatic actuators," *IEEE transactions on control systems technology*, vol. 16, pp. 562-569, 2008.
- [3] C. S. Ritter, A. C. Valdiero, P. L. Andrighetto, L. Endler, and F. Zago, "Nonlinear characteristics systematic study in pneumatic actuators," in *Proceedings of the 20th International Congress of Mechanical Engineering*, 2009.
- [4] A. C. Valdiero, C. S. Ritter, C. F. Rios, and M. Rafikov, "Nonlinear mathematical modeling in pneumatic servo position applications," *Mathematical Problems in Engineering*, vol. 2011, 2011.
- [5] Y. Tassa, T. Wu, J. Movellan, and E. Todorov, "Modeling and identification of pneumatic actuators," in *2013 IEEE International Conference on Mechatronics and Automation*, 2013, pp. 437-443.
- [6] H. Ren and J. Fan, "Adaptive backstepping slide mode control of pneumatic position servo system," *Chinese Journal of Mechanical Engineering*, vol. 29, pp. 1003-1009, 2016.
- [7] M. Taghizadeh, A. Ghaffari, and F. Najafi, "A linearization approach in control of PWM-driven servo-pneumatic systems," in *2008 40th Southeastern*

- Symposium on System Theory (SSST)*, 2008, pp. 395-399.
- [8] M. Taghizadeh, A. Ghaffari, and F. Najafi, "Improving dynamic performances of PWM-driven servo-pneumatic systems via a novel pneumatic circuit," *ISA transactions*, vol. 48, pp. 512-518, 2009.
- [9] S. Hodgson, M. Tavakoli, M. T. Pham, and A. Leleve, "Nonlinear discontinuous dynamics averaging and PWM-based sliding control of solenoid-valve pneumatic actuators," *IEEE/ASME Transactions on mechatronics*, vol. 20, pp. 876-888, 2014.
- [10] B. Najjari, S. M. Barakati, A. Mohammadi, M. J. Futohi, and M. Bostanian, "Position control of an electro-pneumatic system based on PWM technique and FLC," *ISA transactions*, vol. 53, pp. 647-657, 2014.
- [11] D. Šešlija, S. Čajetinac, V. Blagojević, and J. Šulc, "Application of pulse width modulation and by-pass valve control for increasing energy efficiency of pneumatic actuator system," *Proceedings of the Institution of Mechanical Engineers, Part I: Journal of Systems and Control Engineering*, vol. 232, pp. 1314-1324, 2018.
- [12] S. Salim, S. Najib, M. F. a. Rahmat, M. Faudzi, Z. H. Ismail, and N. Sunar, "Position control of pneumatic actuator using self-regulation nonlinear PID," *Mathematical Problems in Engineering*, vol. 2014, 2014.
- [13] B. Dehghan and B. Surgenor, "Comparison of fuzzy and neural network adaptive methods for the position control of a pneumatic system," in *2013 26th IEEE Canadian Conference on Electrical and Computer Engineering (CCECE)*, 2013, pp. 1-4.
- [14] S.-C. Hsu and C.-Y. Lin, "Periodic motion control of a heavy duty pneumatic actuating table using low-cost position sensors and hybrid repetitive control," in *2013 IEEE International Symposium on Industrial Electronics*, 2013, pp. 1-6.
- [15] S. Elbelady, H. Fawaz, and A. Abdul Aziz, "Online Self Tuning PID Control Using Neural Network for Tracking Control of a Pneumatic Cylinder Using Pulse Width Modulation Piloted Digital Valves," *International Journal of Mechanical & Mechatronics Engineering IJMME-IJENS*, vol. 16, pp. 123-136, 2016.
- [16] H. Fawaz and M. A. Aziz, "Position control of a pneumatic actuator using digital valves and fuzzy PI controller," *International Journal of Mechanical and Mechatronics Engineering*, vol. 16, pp. 10-22, 2016.
- [17] A. A. Mansour, W. M. Hashim, and A. A. W. Muhammad, "Design and Implementation of a Pneumatic Servo System using Conventional Direction Control Valve," *IRAQI JOURNAL OF COMPUTERS, COMMUNICATION AND CONTROL & SYSTEMS ENGINEERING*, vol. 18, pp. 1-11, 2018.
- [18] H.-P. Ren and C. Huang, "Adaptive backstepping control of pneumatic servo system," in *2013 IEEE International Symposium on Industrial Electronics*, 2013, pp. 1-6.
- [19] H.-P. Ren and C. Huang, "Experimental tracking control for pneumatic system," in *IECON 2013-39th Annual Conference of the IEEE Industrial Electronics Society*, 2013, pp. 4126-4130.
- [20] Y. Zhang and G. M. Bone, "Direct Switching Position Control Algorithms for Pneumatic Actuators using On/Off Solenoid Valves," 2018.
- [21] F. Soleymani, S. M. Rezaei, M. Zareinejad, K. Baghestan, and A. Rahimi, "Position control of a servo-pneumatic actuator with mis-matched uncertainty using multiple-surface sliding mode controller and high-gain observer," *Transactions of the Institute of Measurement and Control*, vol. 39, pp. 1497-1508, 2017.
- [22] V. T. Joupila, S. A. Gadsden, G. M. Bone, A. U. Ellman, and S. R. Habibi, "Sliding mode control of a pneumatic muscle actuator system with a PWM strategy," *International journal of fluid power*, vol. 15, pp. 19-31, 2014.
- [23] S. Liu and J. Bobrow, "An analysis of a pneumatic servo system and its application to a computer-controlled robot," *Journal of Dynamic Systems, Measurement, and Control*, vol. 110, pp. 228-235, 1988.
- [24] P. Beater, "Pneumatic Drives: System Design, Modelling and Control. 2007," ed: Berlin Springer.
- [25] A. Messina, N. I. Giannoccaro, and A. Gentile, "Experimenting and modelling the dynamics of pneumatic actuators controlled by the pulse width modulation (PWM) technique," *Mechatronics*, vol. 15, pp. 859-881, 2005.
- [26] A. Sabanovic, L. Fridman, and S. Spurgeon, "Variable Structure Systems: From Principles to Implementation (IEE Control Engineering)," ed: Academic Press, Inc, 2004.